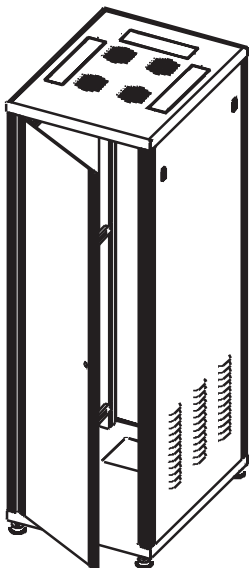
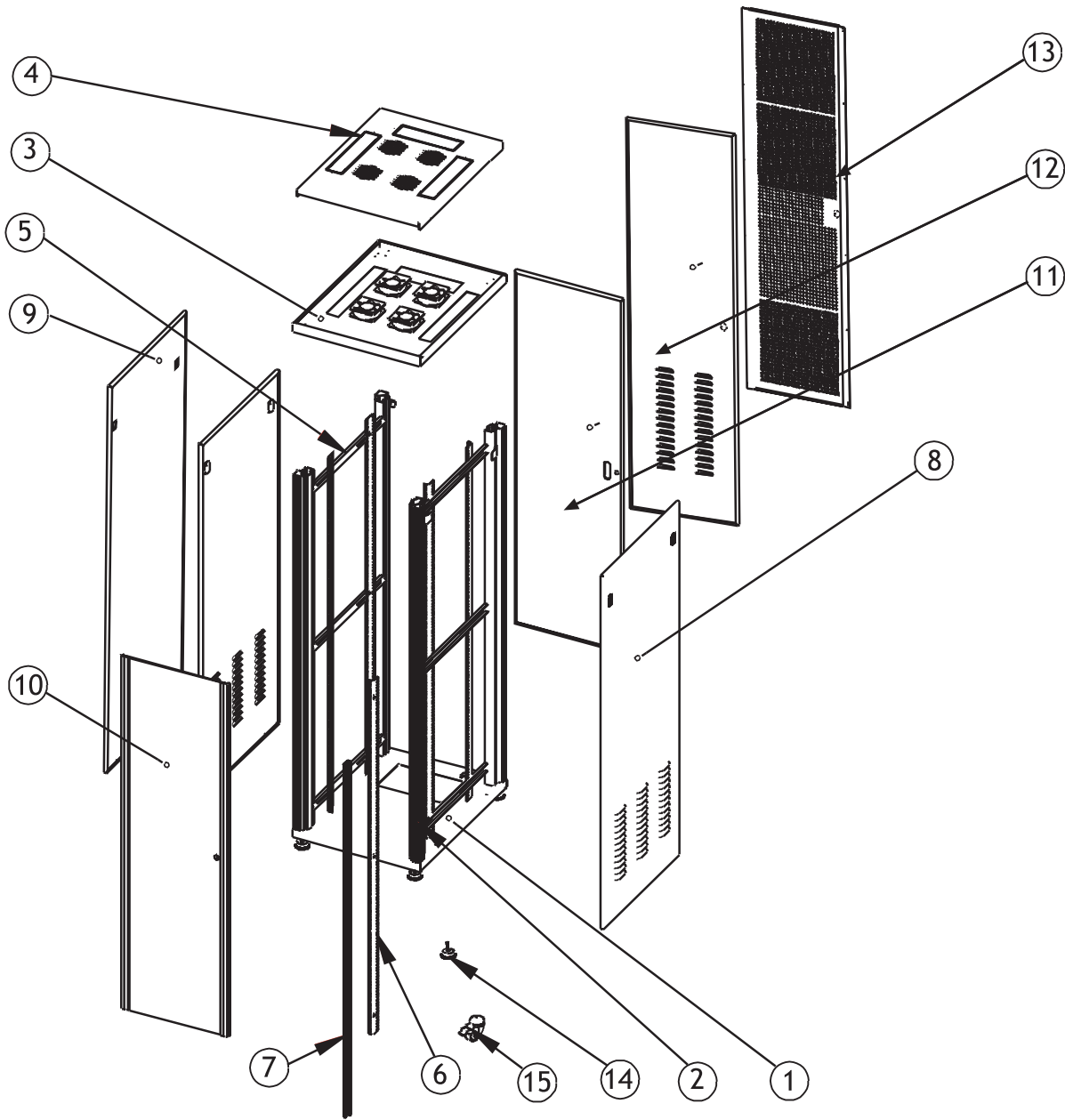


19" FREE STANDING CABINETS

12U, 18U, 24U, 28U, 33U, 40U, 44U



1. BASE
2. VERTICAL ALUMINIUM EXTRUSIONS
3. TOP COVER WITH FANS
4. TOP PLATE WITH VENT SLOTS
5. STRINGER RAIL
6. MOUNTING ANGEL
7. MOUNTING ALUMINIUM EXTRUSIONS
8. SIDE PANEL WITH LOWERS
9. SIDE PANEL
10. FRONT DOOR
11. REAR DOOR
12. REAR DOOR WITH LOWERS
13. REAR DOOR PERFORATED
14. ADJUSTABLE FOOT
15. CASTOR